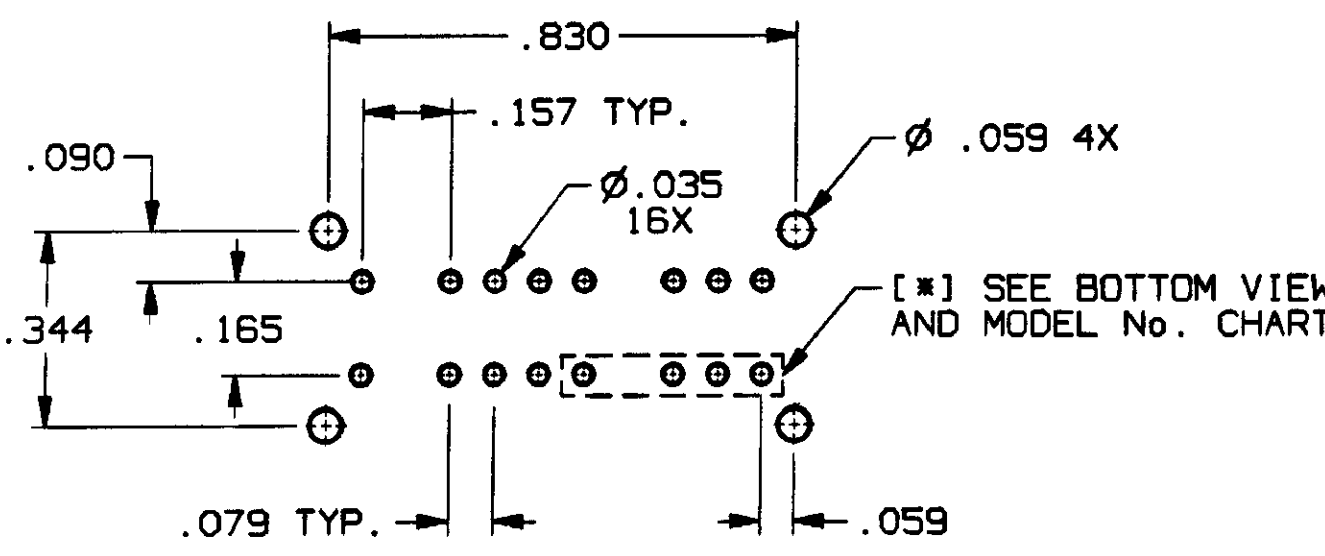
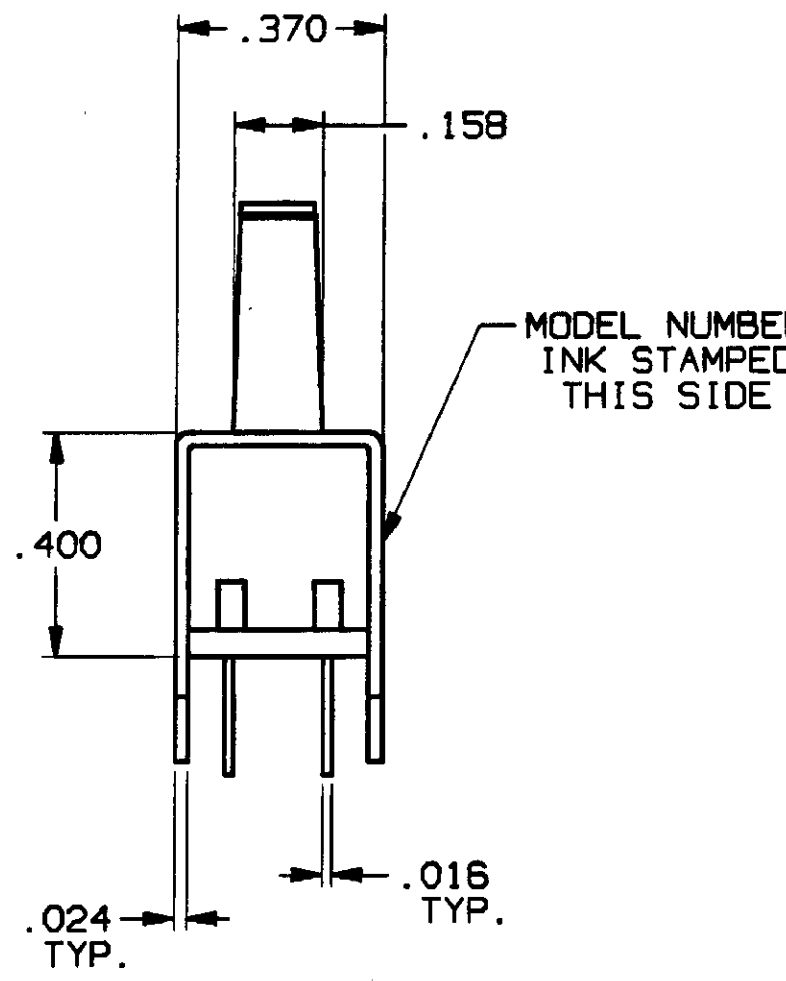
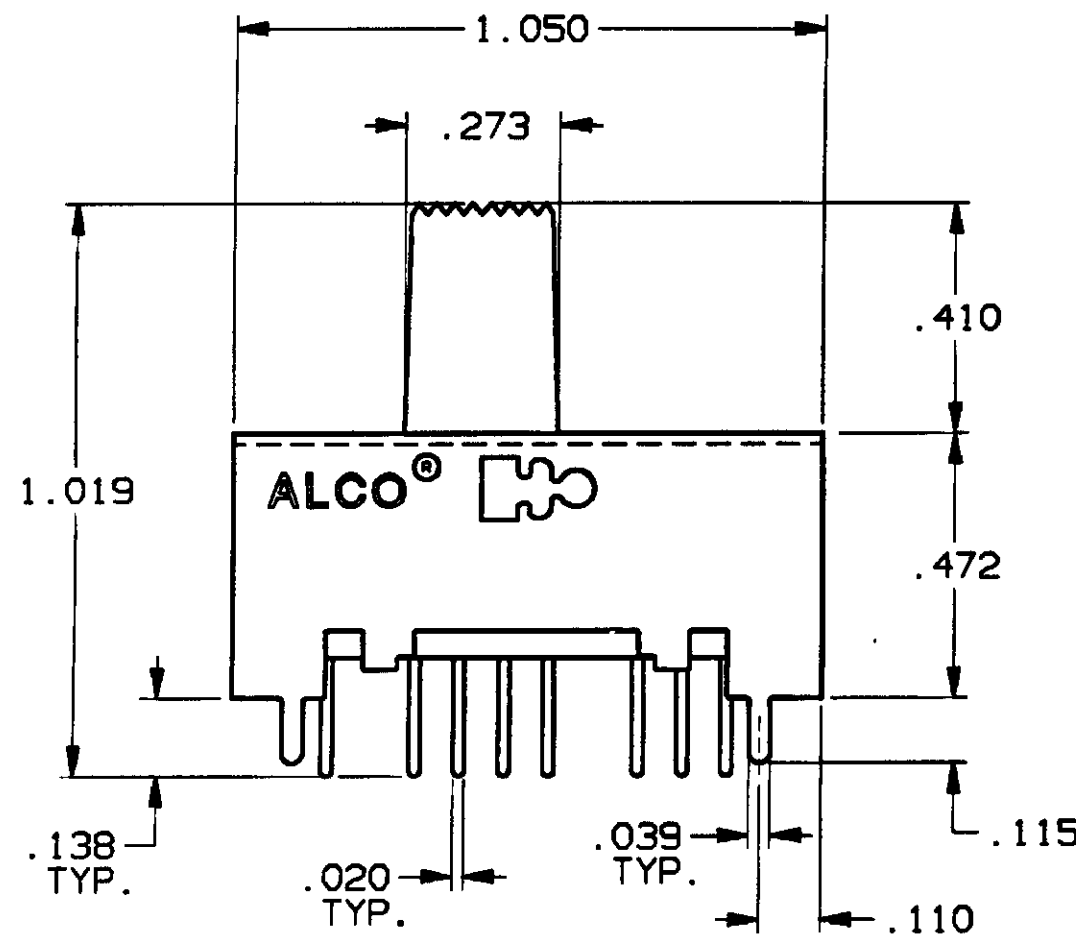
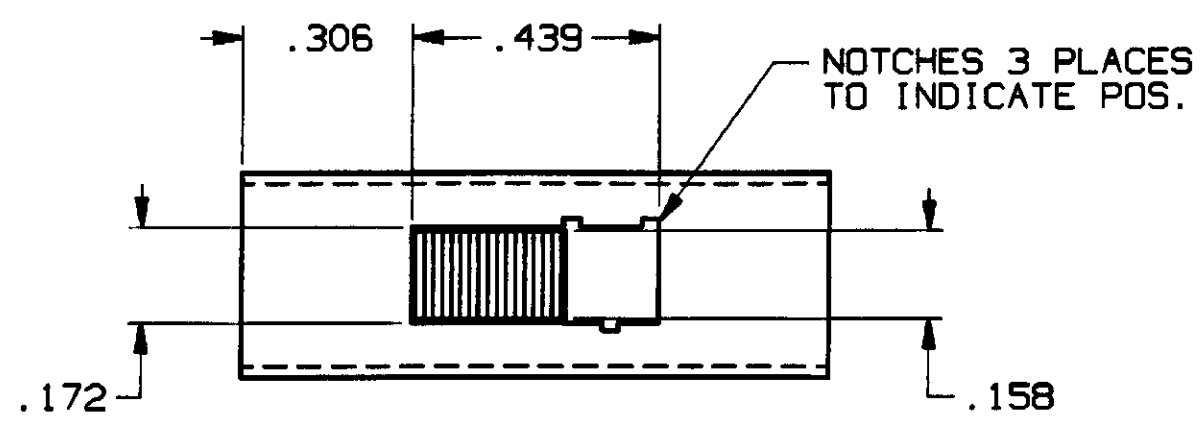
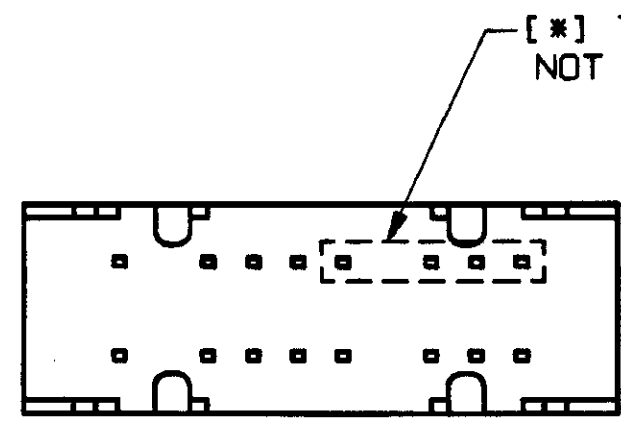


CONVERSION CHART	
INCH	MM
.002	0.05
.010	0.25
.016	0.40
.020	0.50
.024	0.60
.035	0.88
.039	0.99
.059	1.49
.079	2.00
.090	2.28
.099	2.51
.110	2.79
.115	2.92
.138	3.50
.157	3.98
.158	4.01
.165	4.19
.172	4.36
.216	5.48
.270	6.85
.273	7.01
.306	7.77
.344	8.73
.370	9.39
.400	10.16
.410	10.41
.439	11.15
.472	11.98
.830	21.08
1.019	25.88
1.050	26.67



PC HOLE LAYOUT (TOP VIEW)
RECOMMENDED TOLERANCES ±.002



SWITCH BOTTOM VIEW

SPECIFICATIONS:

MATERIALS:
CASE: COLD ROLLED STEEL.
ACTUATOR: POLYESTER, UL94V-0.
TERMINALS: GOLD OR SILVER PLATE.
TERMINAL SEAL: EPOXY.
CONTACTS, MOVING: COPPER ALLOY, GOLD OR SILVER PLATE.
CONTACTS, FIXED: COPPER ALLOY, GOLD OR SILVER PLATE.

ELECTRICAL:
CONTACT RATING, SILVER: 300 MA @ 125 VAC.
CONTACT RATING, GOLD: 0.4 VA MAX. @ 20 VDC OR PEAK AC.
CONTACT TIMING: SHORTING.
INITIAL CONTACT RESISTANCE: 30 MILLIOHMS MAX.
INSULATION RESISTANCE: 1,000 MEGOHMS MIN.
DIELECTRIC STRENGTH: 500 VOLTS RMS @ SEA LEVEL.
LIFE EXPECTANCY: 15,000 CYCLES.

MECHANICAL:
ACTUATION FORCE: 470 GRAMS, AVERAGE.
ACTUATOR TRAVEL: .079 IN.

ENVIRONMENTAL:
SOLDER HEAT RESISTANCE:
OPERATING TEMPERATURE: -4°F TO +185°F, (-20°C TO +85°C).
STORAGE TEMPERATURE: -40°F TO +212°F, (-40°C TO +100°C).

NOTES:

1. INTERPRET DRAWING PER ANSI Y14.5M 1982.

MODEL NO.	No. OF POLES	PLATING
[*] MSSA-3350	3 POLES	SILVER
[*] MSSA-3350G	3 POLES	GOLD OVER NICKEL
MSSA-4350	4 POLES	SILVER
MSSA-4350G	4 POLES	GOLD OVER NICKEL

REV	A
REVISIONS	0G3C-0173-02

CUSTOMER DRAWING
SPECIFICATIONS ARE SUBJECT TO CHANGES WITHOUT NOTICE

THIRD ANGLE PROJECTION TOLERANCES (EXCEPT AS NOTED) ANGULAR = ±1° DECIMAL .XXX = ±.010 AUGAT CONFIDENTIAL This document contains information which is the exclusive property of Augat Inc. Distribution, reproduction or use by others is not permitted without the expressed written consent of Augat Inc.	UNLESS OTHERWISE SPECIFIED DIMENSIONS ARE IN MILLI-METERS. DO NOT SCALE PRINT	ORIGINAL DATE OF DRAWING: 9-17-96
	MATERIAL: SEE SPECIFICATIONS	DRAWN: C. THEODORE DATE: 9-17-96
FINISH: SEE SPECIFICATIONS	CHECKED: DATE:	APPROVED: DATE:
	CODE IDENT. NO. 91506	DWG. SIZE C
	NEXT ASSY:	

AUGAT D/N 40113-SD

THIS IS A C.A.D. GENERATED DRAWING. DO NOT MAKE MANUAL REVISIONS TO MASTER.

TYCO ELECTRONICS

TITLE: CUSTOMER DRAWING
SLIDE SWITCH
3 POSITION PC

DWG. NO.	REV.
6-1437580-1	A
PRODUCT CODE:	
SCALE:	SHEET 1 OF 1